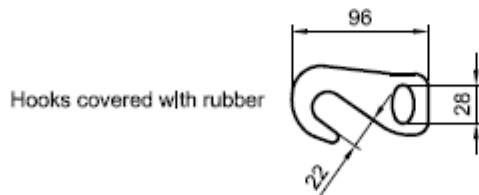
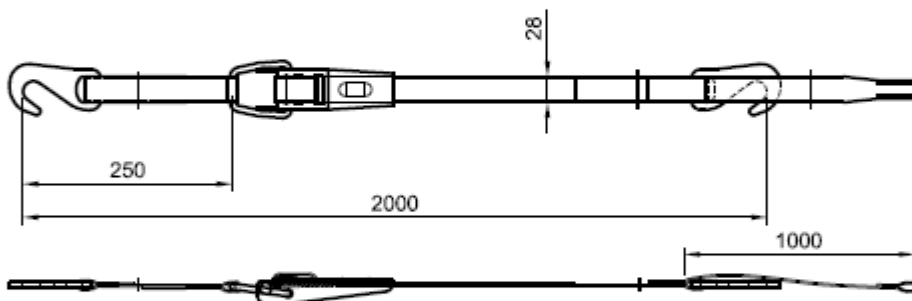


Car Lashings

Car Lashing with Loop

Type: CL-2-2,0-L
BL 2.000 daN / MSL 1.000 daN



Scope of Application

For the lashing of cars up to 3,5 tons on board of RO-RO vessels and ferries.
Loop additional to fasten on the rim.

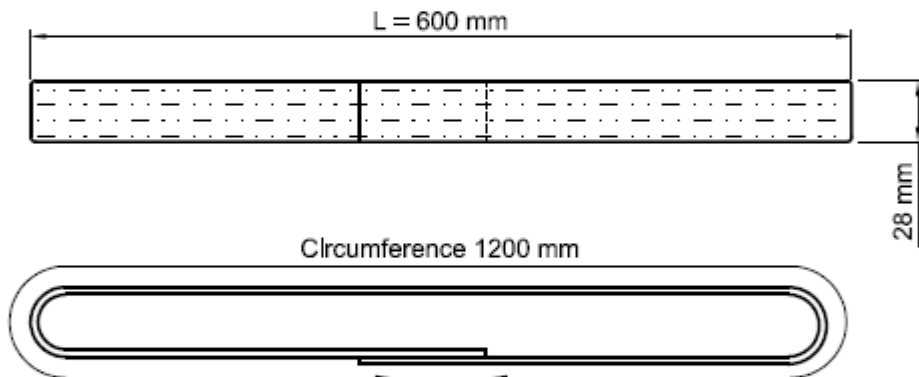


General Data

Min. BL: 2.000 daN
MSL: 1.000 daN
Length: 2.000 mm
Loop 1.000 mm
Web Width: 28 mm
Material: Polyester / Steel
Color: Yellow
Weight: 0,7 kg

Car Sling

Type: SL-2-0,6
BL 2.000 daN / MSL 1.000 daN



Scope of Application

For extension of web lashings.

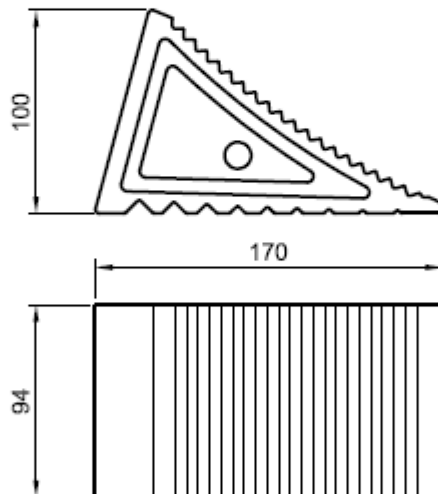
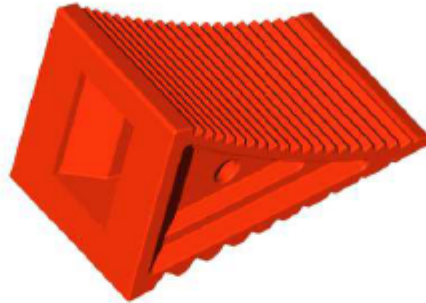
General Data

Min. BL:	2.000 daN
MSL:	1.000 daN
Length:	600 mm
	Circum. 1.200 mm
Web Width:	28 mm
Material:	Polyester
Color:	Yellow
Weight:	0,46 kg



Car Chock

Type: B11.4-5



Scope of Application

To secure the tires of cars.

General Data

Dimension: 170x94x100 mm

Material: Plastic

Color: Orange

Weight: 0,7 kg

